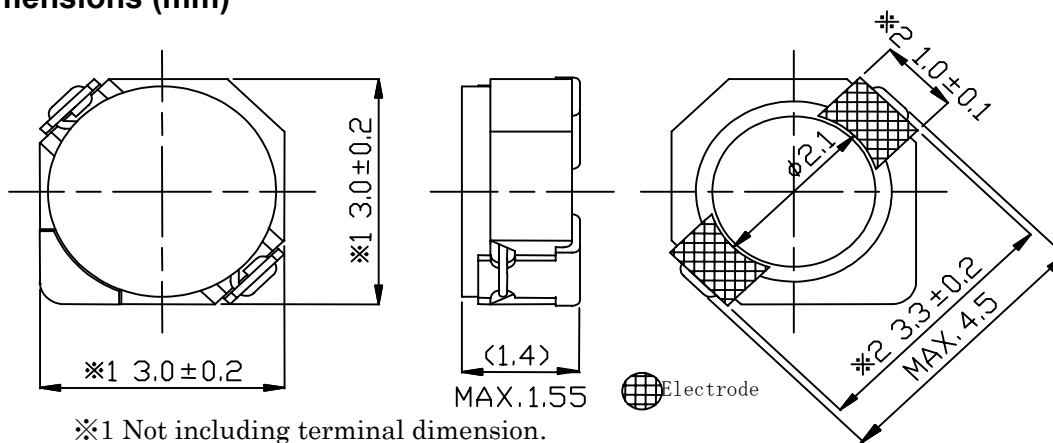
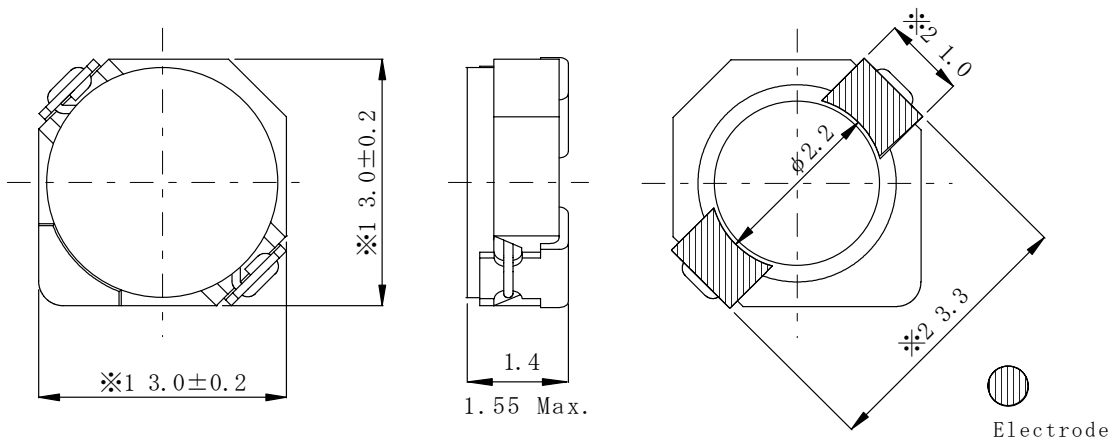


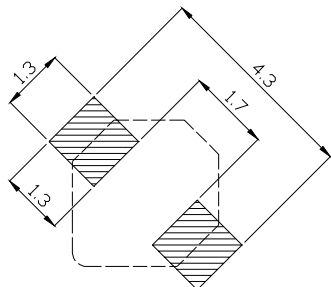
Type: CDRH2D14, CDRH2D14B/LD
◆ Product Description

- 3.2×3.2mm Max.(L×W), 1.55mm Max.Height
- Inductance range: 0.21~12 μ H (CDRH2D14), 1.2~39 μ H (CDRH2D14B/LD).
- Rated current range: 0.62~3.8A(CDRH2D14), 0.24~1.3A(CDRH2D14B/LD).
- CDRH2D14B/LD has a better stability in high(2MHz) and low(100KHz) frequency range.
- In addition to the standards versions shown here, custom inductors are also available to meet your exact requirements.


◆ Feature

- Magnetically shielded construction.
- Ideally used in Mobilephone,PDA,MP3,DSC/DVC,etc as DC-DC Converter inductors.
- RoHS Compliance.

◆ Dimensions (mm)

CDRH2D14

CDRH2D14B/LD

Type: CDRH2D14, CDRH2D14B/LD
◆ Land Pattern (mm)

◆ Specification(CDRH2D14)

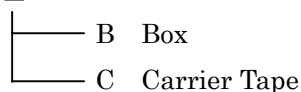
Part Name ※	Stamp	Inductance (μ H) [Within] 100kHz/1V	D.C.R.(m Ω) Max.(Typ.) (at 20°C)	Saturation Current (A) ※1		Temperature Rise current (A) ※2
				(at 20°C)	(at 100°C)	
CDRH2D14NP-R21N□	N	0.21 \pm 35%	21(16)	3.80	2.70	4.74
CDRH2D14NP-R36N□	P	0.36 \pm 35%	26(20)	3.25	2.55	4.10
CDRH2D14NP-R6 \emptyset N□	Q	0.60 \pm 35%	33(25)	2.20	1.75	3.45
CDRH2D14NP-R82N□	R	0.82 \pm 35%	39(30)	2.10	1.68	2.85
CDRH2D14NP-1R2N□	S	1.2 \pm 30%	49(38)	1.95	1.35	2.75
CDRH2D14NP-1R5N□	A	1.5 \pm 30%	63(50)	1.80	1.20	2.00
CDRH2D14NP-1R8N□	B	1.8 \pm 30%	75(60)	1.65	1.10	1.80
CDRH2D14NP-2R2N□	C	2.2 \pm 30%	94(75)	1.50	1.00	1.60
CDRH2D14NP-2R7N□	D	2.7 \pm 30%	106(85)	1.35	0.90	1.40
CDRH2D14NP-3R3N□	E	3.3 \pm 30%	125(100)	1.20	0.82	1.24
CDRH2D14NP-3R9N□	F	3.9 \pm 30%	138(110)	1.10	0.75	1.12
CDRH2D14NP-4R7N□	G	4.7 \pm 30%	169(135)	1.00	0.68	1.00
CDRH2D14NP-5R6N□	H	5.6 \pm 30%	188(150)	0.95	0.60	0.98
CDRH2D14NP-6R8N□	J	6.8 \pm 30%	213(170)	0.85	0.56	0.92
CDRH2D14NP-8R2N□	K	8.2 \pm 30%	281(225)	0.80	0.51	0.80
CDRH2D14NP-1 \emptyset \emptyset N□	L	10 \pm 30%	294(235)	0.70	0.46	0.76
CDRH2D14NP-12 \emptyset N□	M	12 \pm 30%	394(315)	0.62	0.42	0.64

Type: CDRH2D14, CDRH2D14B/LD
◆ Specification(CDRH2D14B/LD)

Part Name ※	Stamp	Inductance (μ H) [Within] 100kHz/1V	D.C.R.(Ω) Max.(Typ.) (at 20°C)	Saturation Current (A) ※1		Temperature Rise current (A) ※2
				(at 20°C)	(at 100°C)	
CDRH2D14B/LDNP-1R2N□	Q	1.2±30%	35m(28m)	1.30	1.00	2.50
CDRH2D14B/LDNP-1R5N□	R	1.5±30%	49m(39m)	1.20	0.90	2.10
CDRH2D14B/LDNP-1R8N□	S	1.8±30%	60m(48m)	1.10	0.80	1.90
CDRH2D14B/LDNP-2R2N□	A	2.2±30%	82m(65m)	1.00	0.70	1.60
CDRH2D14B/LDNP-2R7N□	B	2.7±30%	92m(73m)	0.88	0.65	1.50
CDRH2D14B/LDNP-3R3N□	C	3.3±30%	94m(75m)	0.78	0.57	1.35
CDRH2D14B/LDNP-3R9N□	M	3.9±30%	109m(87m)	0.75	0.52	1.30
CDRH2D14B/LDNP-4R7N□	D	4.7±30%	0.13(0.10)	0.71	0.50	1.13
CDRH2D14B/LDNP-5R6N□	N	5.6±30%	0.14(0.11)	0.60	0.45	1.10
CDRH2D14B/LDNP-6R8N□	E	6.8±30%	0.19(0.15)	0.56	0.40	0.97
CDRH2D14B/LDNP-8R2N□	O	8.2±30%	0.24(0.19)	0.50	0.36	0.85
CDRH2D14B/LDNP-10ØM□	F	10.0±20%	0.25(0.20)	0.47	0.33	0.76
CDRH2D14B/LDNP-12ØM□	G	12.0±20%	0.34(0.27)	0.43	0.30	0.64
CDRH2D14B/LDNP-15ØM□	H	15.0±20%	0.39(0.31)	0.38	0.27	0.59
CDRH2D14B/LDNP-18ØM□	P	18.0±20%	0.46(0.37)	0.36	0.25	0.54
CDRH2D14B/LDNP-22ØM□	I	22.0±20%	0.57(0.45)	0.31	0.22	0.47
CDRH2D14B/LDNP-27ØM□	J	27.0±20%	0.68(0.54)	0.28	0.20	0.43
CDRH2D14B/LDNP-33ØM□	K	33.0±20%	0.78(0.61)	0.26	0.18	0.41
CDRH2D14B/LDNP-39ØM□	L	39.0±20%	1.04(0.83)	0.24	0.16	0.35

※ Description of Part Name

CDRH2D14B/LDNP-1R2N□



※1.Saturation Current: The DC current at which the inductance decreases to 65% of it's nominal value

 ※2 Temperature rise current: The DC current at which the temperature rise is $\Delta t=40^{\circ}\text{C}$.($T_a=20^{\circ}\text{C}$)